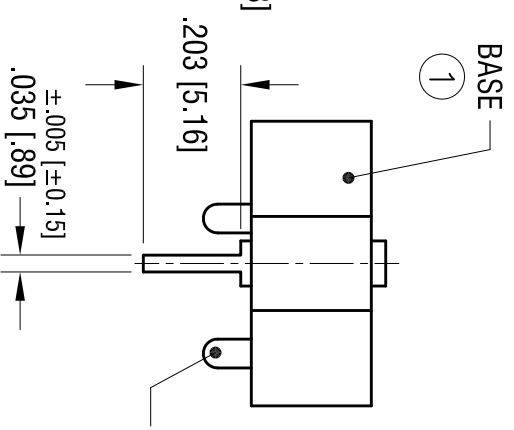
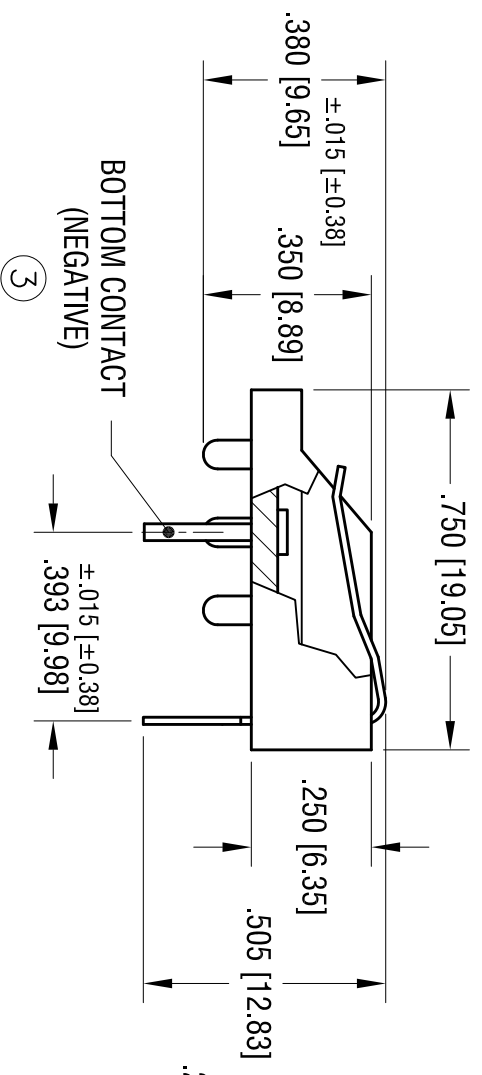
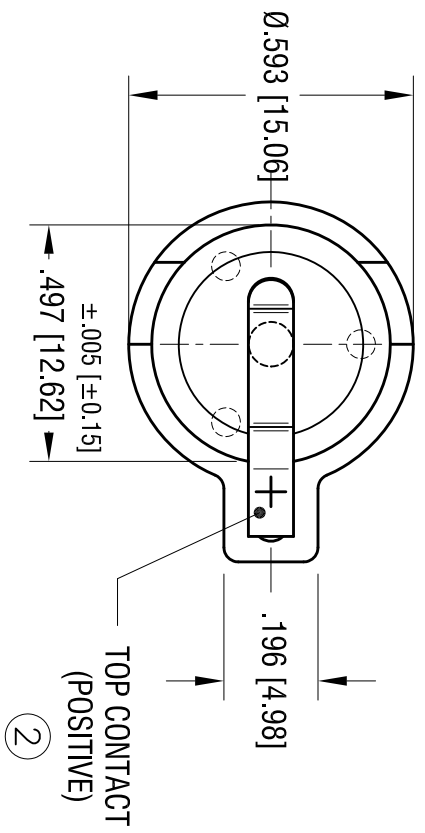
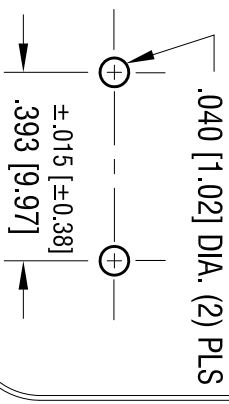


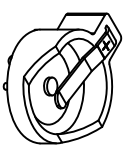
MOUNTING DETAIL



.062 [1.57] DIA. LEG
(3) PLS ON
.375 [2.52] CIRCLE DIA.

DATE	DESCRIPTION	REV.
2.9.05	CHANGE AS PER ECN 05-014	E
4.08.09	CHANGE AS PER ECN 09-028	F
11.02.11	CHANGE AS PER ECN 11-142	G

ITEM	DESCRIPTION/MATERIAL	FINISH
①	BASE, BLACK PBT (UL 94V-0)	
②	TOP CONTACT .015 [0.38] THK SPRING STEEL	TIN NICKEL PLATE
③	BOTTOM CONTACT .035 [0.89] DIA. STEEL	TIN NICKEL PLATE



ACTUAL SIZE

THIS DOCUMENT IS THE PROPERTY OF
KEYSTONE ELECTRONICS CORP. AND
SHALL NOT BE REPRODUCED, DISTRIBUTED
OR USED AS A BASIS FOR MANUFACTURE
WITHOUT PRIOR WRITTEN PERMISSION
FROM KEYSTONE ELECTRONICS CORP.

KEYSTONE ELECTRONICS CORP.
www.keystone.com • NEW HYDE PARK, NY 11040 • Tel (516) 328-7500

PART NAME: DUAL 12mm PC BATTERY HOLDER
MATERIAL: AS NOTED

FINISH: AS NOTED

TOLERANCES	INCH	[MM]	CODE	DWG NO.
DECIMAL	± .010	[± .025]	C	501
ANGULAR	± 1°			

DRN BY: BOONE DATE: 6.4.93
APP'D: LN SCALE: 2.5X