

# Non-Illuminated Through Cord Rocker Switch

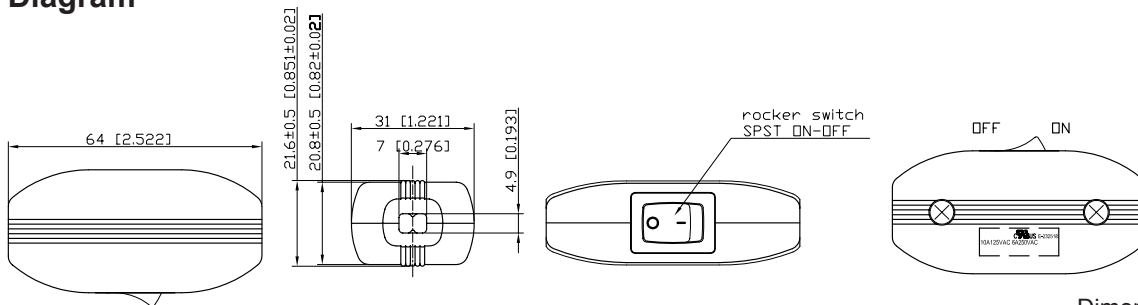
RoHS  
Compliant



## Specifications

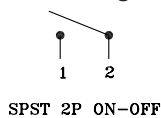
Switch Function	: 2P, SPST, On-Off
Switch Mounting	: Cable
Actuator Type	: Concave, I-O Vertical Marking
Ratings	: 10A /125V AC, 6A/250V AC
Contact Resistance	: 50mΩ Max.
Insulation Resistance	: 100MΩ Min. @ 500V DC
Dielectric Strength	: 1500V AC/1 minute
Operating Temperature	: -20°C ~ 85°C
Switch Operation Force	: 450g ±150g
Case Material	: Nylon 6.6, Black

## Diagram



Dimensions : Millimetres  
Tolerances ±0.5mm

## Circuit Diagram



## Part Number Table

Description	Part Number
Non-Illuminated Through Cord Rocker Switch, Concave, I-O, 2P, SPST, On-Off, Black	MCR13-914