

Anti-Vandal Switch

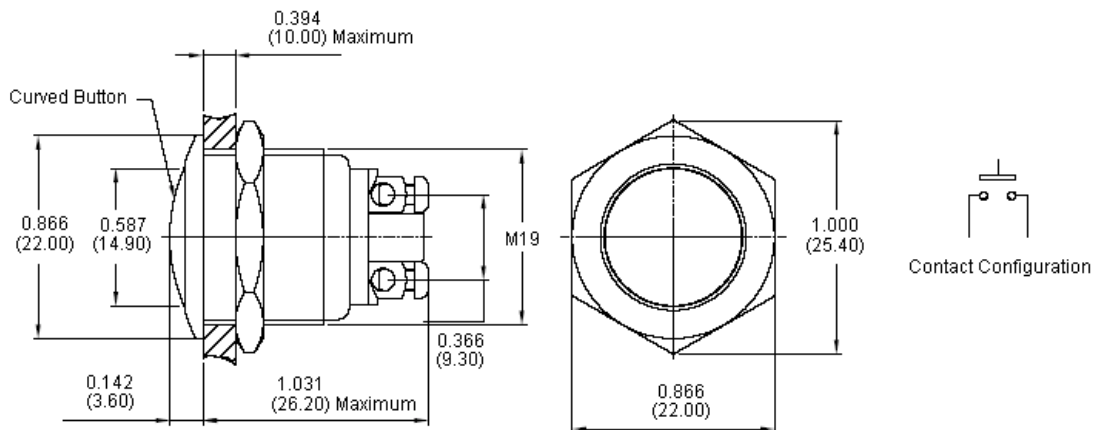


Specifications:

| | |
|----------------------------|----------------------------|
| Contact Rating | : 2A at 36V DC |
| Electrical Life | : 2,00,000 cycles |
| Max. Contact Resistance | : 50mΩ (initial) |
| Min. Insulation Resistance | : 1,000MΩ at 500V DC |
| Dielectric Strength | : 2,000V rms 50 to 60Hz |
| Operating Temperature | : -20°C to +55°C |
| Switching Circuit | : Off-MOM |
| IP Class | : IP65 protection |
| Max. Torque | : 5 to 14Nm applied to nut |
| Max. Operating Force | : 4N |

Materials:

| | |
|-----------------------------|-------------------------------------------|
| Contact | : Silver alloy |
| Nut | : Nickel plated brass |
| Base | : PBT |
| Bushing and Button Material | : Stainless Steel with Varnished Polished |



Dimensions : Millimetres (Inches)

Part Number Table

| Description | Part Number |
|--------------------------------------|------------------|
| Switch, Anti-Vandal, Off-MOM, Curved | AV01-B22-M1-IP65 |