

Emergency Stop Switch

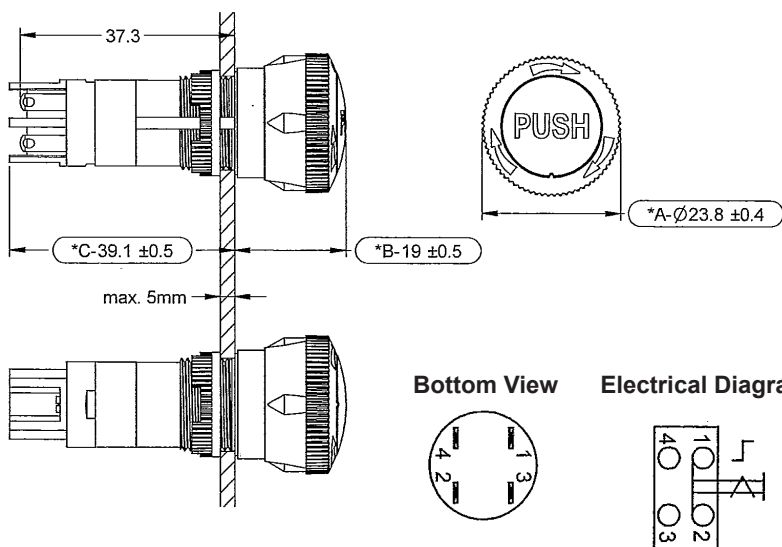
**RoHS
Compliant**

Specifications:

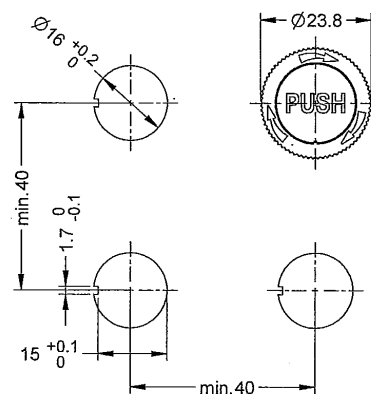
Contact Configuration	: 1NO / 1NC
Switch Operation	: Pushlock Turn Clockwise to Reset
Switch Terminals	: Quick Connect / Solder
Mechanical Lifetime	: >0.1million operations
Electric Rating	: 240V AC 1.5A; 120V AC 3A
Max. Insulation Voltage	: >1,500V 60Hz 1 min. between all terminals
Motion Tolerance	: <10 Operation / min.
Panel Thickness	: 0.5mm to 5mm
Degree of Protection	: IP65
Storage Temperature	: -40°C to +70°C
Operating Temperature	: -25°C to +55°C
Contact Resistance	: 20mΩ (initial)



Diagram



Hole Dia.



Dimensions : Millimetres

Part Number Table

Description	Part Number
Emergency Stop Switch, SPDT, 3A, 250V, QC/Solder, Red	MCOS38008