

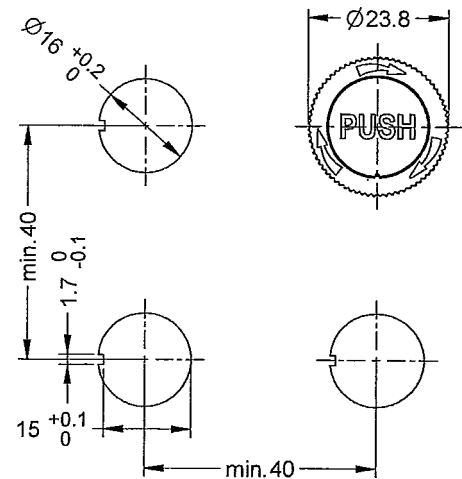
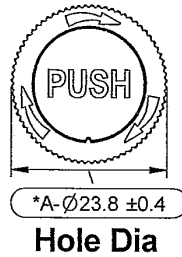
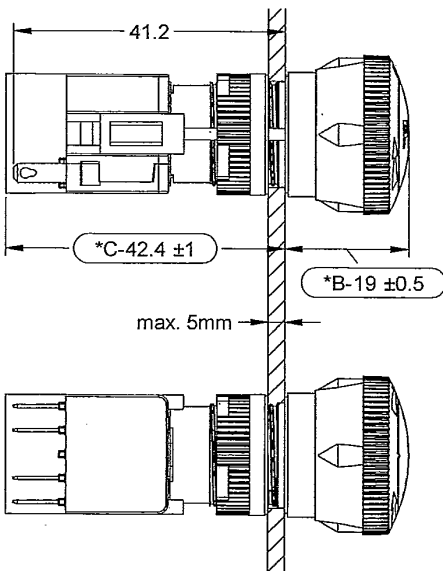
Emergency Stop Switch Soldering/Plug-in

**RoHS
Compliant**

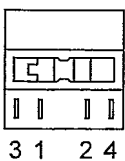


Specifications:

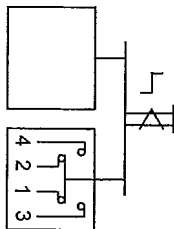
Mechanical Lifetime	: >0.1 million operations
Electric Rating	: 250V AC 5A 125V AC 8A
Max. Insulation Voltage	: >1,500V 60Hz 1min. between all terminals
Motion Tolerance	: <20 operation/min
Panel Thickness	: 0.5mm to 5mm
Degree of Protection	: IP65
Storage Temperature	: -40°C to +70°C
Operating Temperature	: -25°C to +55°C (-25°C to +70°C without lamp)
Contact Resistance	: 20mΩ (initial)
Colour	: Red



Bottom View



Electrical Diagram



Part Number Table

Description	Part Number
Soldering/Plug-in Type Emergency Stop Switch	MCADA16E6-R22-C10R