

Mini Jumper Closed Type

**RoHS
Compliant**



Features:

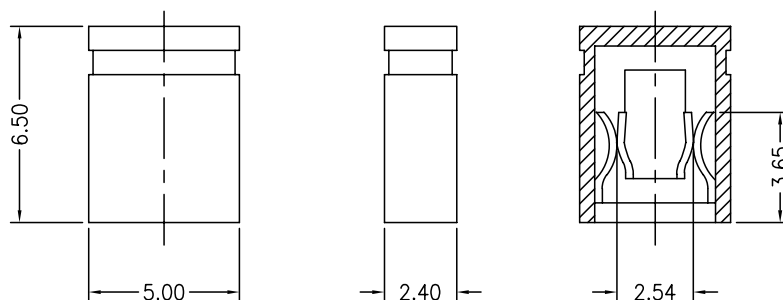
Double tuning fork type contact guarantees high reliability
2.54mm pitch Low-profile mini type males to 0.64mm sq. posts.

Material:

Insulator : 30% Glass fiber + P.B.T.
Terminal : Phosphor bronze
Finishing : Gold Plated

Specifications:

No. of Positions : 2
Gender : Plug
Current Rating : 3A Max.
Contact Resistance : 20mΩ Max.
Insulation Resistance : 100MΩ Min.
Pitch Spacing : 2.54mm
Dielectric Withstanding Voltage : AC 650Vrms at sea level



Dimensions : Millimetres

Part Number Table

Description	Part Number
Mini Jumper, Closed Type	SPC19808