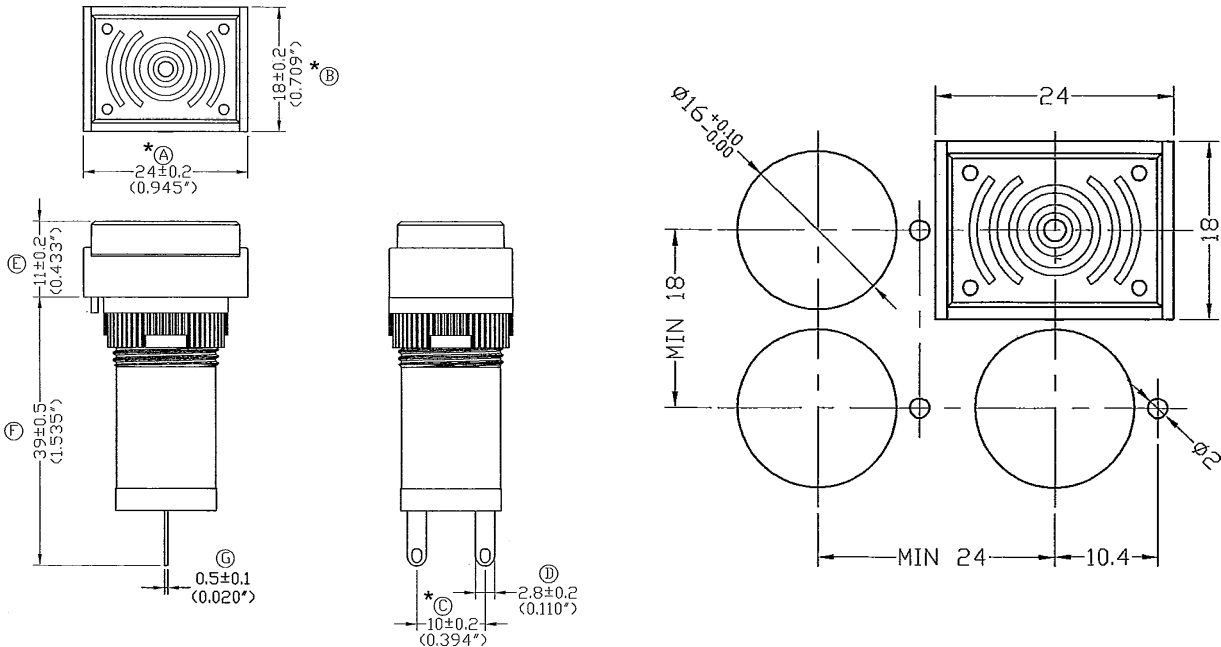


# Buzzer Rectangular



### Specifications:

|                       |   |
|-----------------------|---|
| Current Rating        | : 3A / DC 12 to 24V                                   |
| Operating Temperature | : -25°C to +55°C                                      |
| Electrical Lifetime   | : 1,000hr   |
| Sound Pressure        | : 80dB  |
| Terminal              | : Soldering Type / Plug-in Type                       |
| Wire Range            | : 1 × 1.5mm <sup>2</sup> max.                         |
| Cable Range           | : 2 × 0.75mm <sup>2</sup> / 1 × 1mm <sup>2</sup> max. |
| Voice                 | : Intermittent tone                                   |



Dimensions : Millimetres (Inches)

### Part Number Table

| Description         | Part Number        |
|---------------------|--------------------|
| Buzzer, Rectangular | MCADP16B4-0T0-0240 |