

Solid State Relay

RoHS
Compliant



Description

The product is a PCB mounted solid state relay. Load current is 5A, including zero cross and random-on switching control. Control voltage is 4-32V DC. Opto-isolation is 4000VACrms. With a high inrush current capability. The load voltage is 380 Volts.

Features

- Plastic case
- Zero crossing switching
- Ratings from 5A @ 24-530V AC
- Control voltage: 4-32VDC
- Opto-isolation: 4000V ACrms

Applications

Suitable for important industrial applications such as lighting control, motor control, medical device, elevator.

Technical Specification

Input Circuit

Control Voltage Range	: 4V DC to 32V DC
Min. Turn-On Voltage	: 4V DC
Min. Turn-Off Voltage	: 1V DC
Max. Input Current	: 25mA

Output Circuit

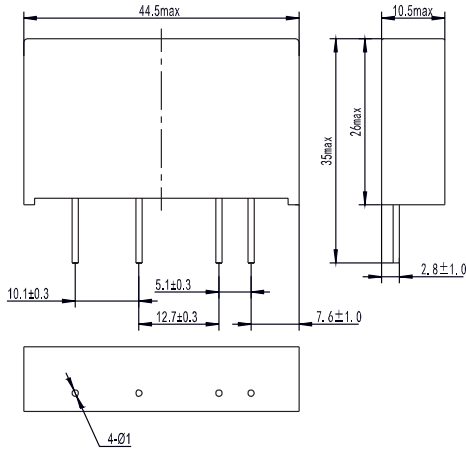
Load Voltage Range	: 24 ~ 440V AC
Transient Over Voltage	: 800Vpk
Load Current Range	: 0.1 ~ 5A
Max. Turn-On Time	
Zero Crossing	: 10ms
Max. Turn-off Time	: 10ms
Max. Surge Current (@10 ms) (5A)	: 250A
Max. Off-State Leakage Current [@ Rated Voltage]	: 1.5mA
Max. On-State Voltage Drop [@ Rated Current]	: 1.5Vrms
Min. Off-State dv/dt[@Maximum Rated Voltage]	: 500V/μs

General Information

Dielectric Strength Input/Output (50/60Hz)	: ≥ 4000 Vrms
Ambient Operating Temperature Range	: -30°C to +80°C
Ambient Storage Temperature Range	: -30°C to +100°C
Weight (Typical)	: 20g

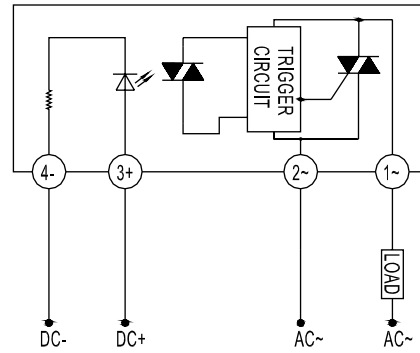
Solid State Relay

Diagram

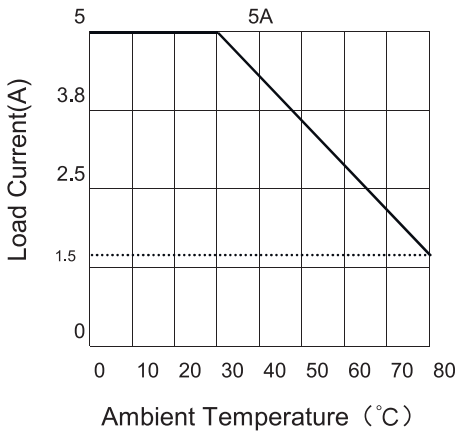


Dimensions : Millimetres

Wiring Diagram



Thermal Curve



Part Number Table

Description	Part Number
SSR, 5A, 24-440V AC, 4-32V DC	MCKSD380D5-W(037)